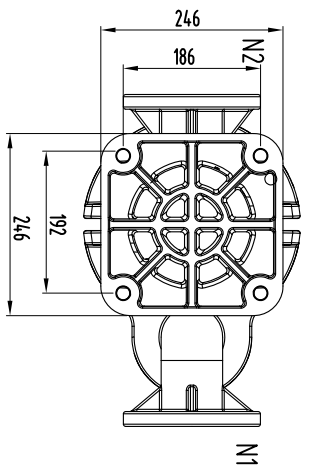
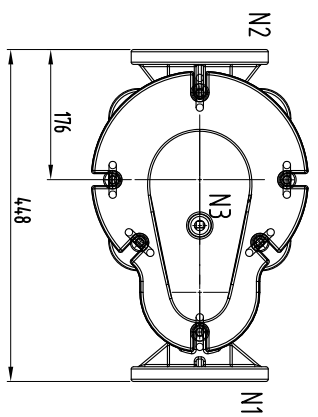
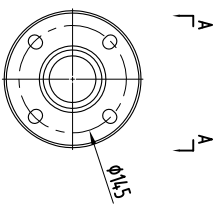
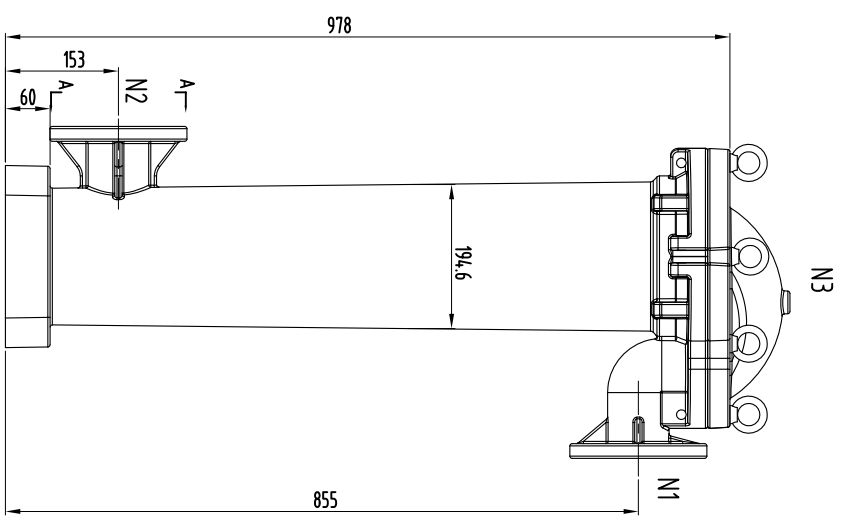
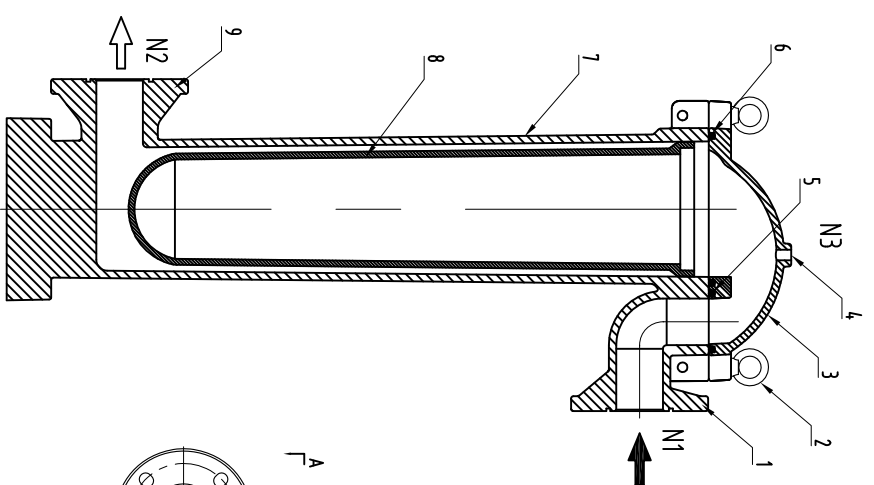


Mpa	0.8		PPH
		$\text{m}^3/\text{h}$	80
Mpa	0.4		25

N1	DN50	GB/T 13863, 2-2005	
N2	DN50	GB/T 13863, 2-2005	
N3	1/2"		

1	DN50	PPH	1
2	M14	304	6
3		PPH	1
4		PPH	1
5			1
6		PPH	1
7		PPH	1
8		PPH	1
9	DN50	PPH	1



PPH